

KEY FEATURES

- Simple use = easy training for your staff.
- High production capacity in a small footprint.
- Stainless steel interior and exterior with integrated wash spray for easy cleaning.
- 2 speed bi-directional fan for flexible, even cooking throughout the oven.
- Heat recovery system saves up to 20% of energy.
- 12 months parts & labour warranty.
- 10 year parts availability guarantee.
- Australian born & bred.

EXTRAS

- Stand with tray rack.
- Filter (essential).
- Gastronorm pans, roasting racks, baking sheets, grill trays, fry baskets.

MODELS

VICTORY 6

VICTORY 10

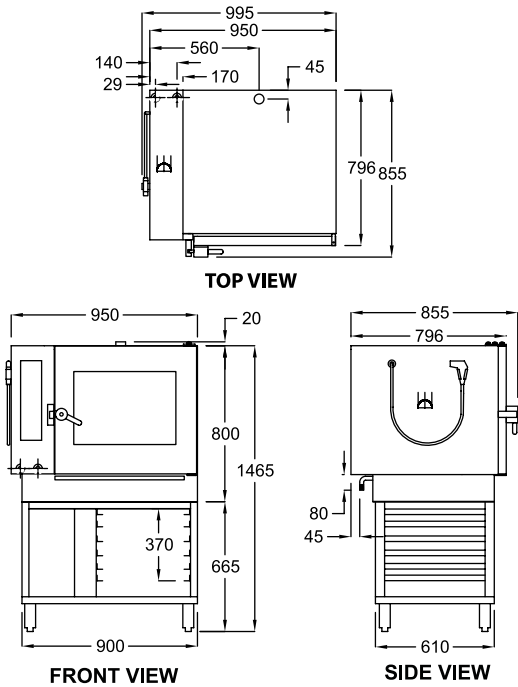


VICTORY 6







VICTORY 10

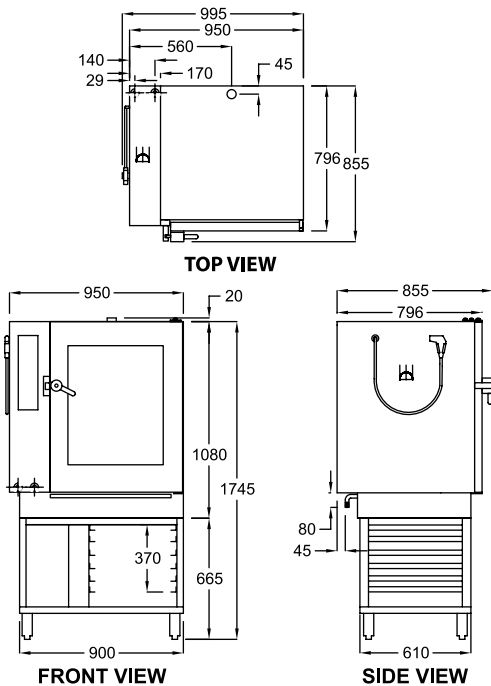
VICTORY 6







MODEL: VICTORY - 6 Specifications:	
Dimensions (WxDxH):	950 x 855 x 1465 mm
Power:	3 Phase + Neutral
Steam Generation:	Injection
Capacity:	6 trays GN 1/1
Capacity of Meals:	50 - 150
Spacing:	70 mm
Total Power:	10.2 kW
Fuse Protection:	15A
Operating Temp. Range:	30 - 300°C

-  COLD WATER INLET 1/2"
-  COLD WATER FROM INLET FROM 1/2" FILTER
-  DRAIN 1"
-  3 Phase + NEUTRAL ELEC. CONNECTION

VICTORY 10



MODEL: VICTORY - 10 Specifications:	
Dimensions (WxDxH):	950 x 855 x 1745 mm
Power:	3 Phase + Neutral
Steam Generation:	Injection
Capacity:	10 trays GN 1/1
Capacity of Meals:	150 - 250
Spacing:	70 mm
Total Power:	17.2 kW
Fuse Protection:	32A
Operating Temp. Range:	30 - 300°C

-  COLD WATER INLET 1/2"
-  COLD WATER FROM INLET FROM 1/2" FILTER
-  DRAIN 1"
-  3 Phase + NEUTRAL ELEC. CONNECTION

Goldstein Eswood continually works on improving our products, so dimensions may change without notice. For any construction critical dimensions please check with us.

GOLDSTEIN ESWOOD
211 - 217 Woodpark Rd SMITHFIELD NSW 2164
T: 1800 013 123 F: 02 96045420
E: sales@goldsteineswood.com.au

goldsteineswood.com.au



QEC2900 2 NOVEMBER 2008
Certified System
Quality
Head Office
ISO 9001
TRAF GLOBAL