



Goldstein
Established 1911 • Proudly Australian Made



GOURMET RANGE - GAS

- 3 high performance 18mj burners & 1 12mj simmer burner.
- Meets NSW Department of Education requirements.
- Fully insulated gastronorm compatible oven.
- Heavy duty, removable cast iron trivets and stainless steel spill pan.
- Flame failure and standing pilots are standard.
- 12 months parts & labour warranty.
- 10 year parts availability guarantee.



GR/G700



**Fully welded steel body.
Modern practical design.**



**Easy to operate
function controls.**



**Cast iron trivets.
Solid Brass burners.**



Fully insulated oven.



serving those who serve the best for

100 YEARS
1911 - 2011

1800 013 123

goldsteineswood.com.au

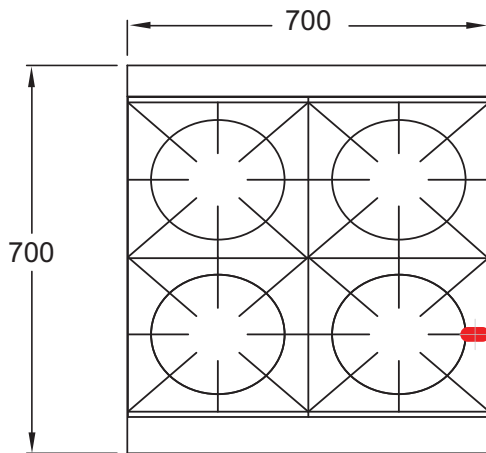


Goldstein
Established 1911 • Proudly Australian Made



GOURMET RANGE - GAS

GR / G700

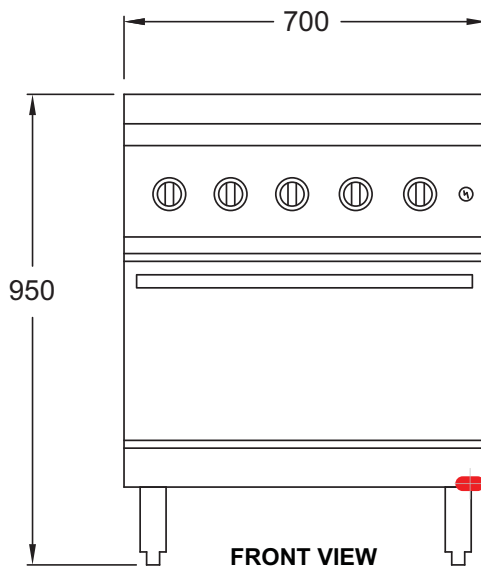


TOP VIEW

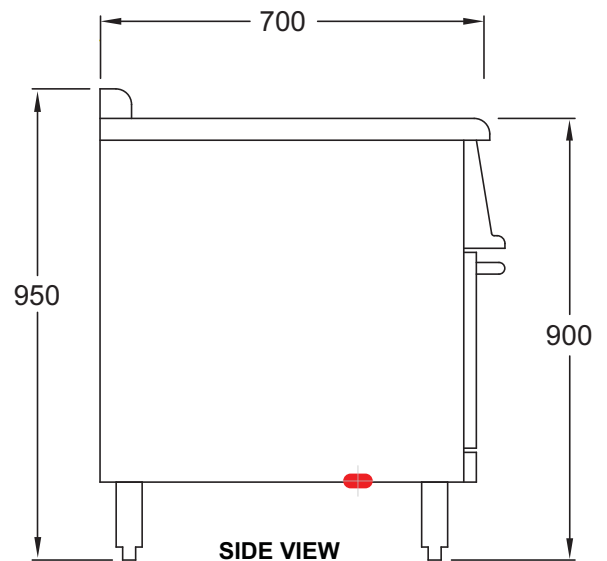
MODEL: GR / G700 Specifications:

| | |
|----------------------------|--------------------|
| Dimensions (WxDxH): | 700 x 700 x 950 mm |
| Working Height: | 875 mm |
| Oven Size (WxDxH): | 560 x 580 x 290 mm |
| Weight: | 80 kg |
| Packed: | 0.7 m ³ |
| Gas Connection | |
| Rating: | 83 mj |
| Size: | 19 mm BSP |

 GAS INLET 3/4" BSP



FRONT VIEW



SIDE VIEW

goldsteineswood.com.au

QEC2900 2 NOVEMBER 2008



GOLDSTEIN ESWOOD

Established 1911 • Proudly Australian Made

211-217 Woodpark Rd, Smithfield NSW 2164
Telephone: 1800 013 123 Facsimile: (02) 9604 5420
Email: sales@goldsteineswood.com.au

Proudly Distributed By

"Serving those who serve the best for 100 years"