



Goldstein
Established 1911 • Proudly Australian Made



CONVECTION OVENS - GAS

- Fan forced for high production capacity.
- Roll in cassette standard, complete with five racks.
- Stainless steel surfaces for durability and ease of cleaning.
- Gastronorm and baking sheet compatibility.
- Cook and hold facility.
- 12 months parts and labour warranty.
- 10 year parts availability guarantee.
- Australian born and bred.



X500



X500

**WITH STAND AND OPTIONAL
GLASS DOORS**

MODELS

X500



serving those who serve the best for

100 YEARS
1911 - 2011

1800 013 123

goldsteineswood.com.au

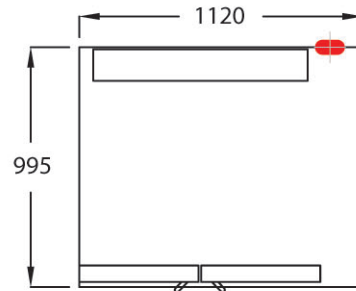


Goldstein
Established 1911 • Proudly Australian Made

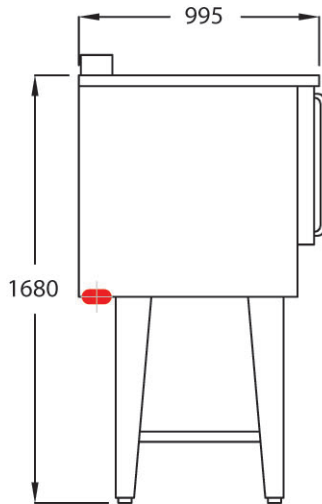


CONVECTION OVENS - GAS

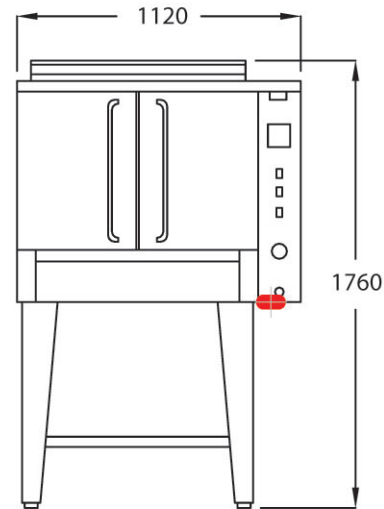
X500



TOP VIEW



SIDE VIEW



FRONT VIEW

MODEL: X500 Specifications:

Dimensions (WxDxH):	1120 x 995 x 1680 mm + Flue
Holding Capacity:	20 1/1 trays
Shelves:	5
Slides	10
Gas Connection:	19 mm BSP
Rating:	62 mj + 0.5 kw
Weight:	250 kg
Packed:	1.9 m ³

 GAS INLET 3/4" BSP

goldsteineswood.com.au

QEC2900 2 NOVEMBER 2008



GOLDSTEIN ESWOOD

Established 1911 • Proudly Australian Made

211-217 Woodpark Rd, Smithfield NSW 2164
Telephone: 1800 013 123 Facsimile: (02) 9604 5420
Email: sales@goldsteineswood.com.au

Proudly Distributed By

"Serving those who serve the best for 100 years"