

**KEY FEATURES**

- Refractory tile hearth to ensure even heat distribution and optimum baking.
- Independently controllable top and bottom elements provide browning flexibility (electric models only).
- Stainless steel face and door.
- 100 mm reflective insulation provides maximum energy efficiency.
- Stackable, to minimize floor space requirements.
- 12 months parts & labour warranty.
- 10 year parts availability guarantee.
- Australian made.



**E236-300**

**GAS MODELS**

**ELECTRIC MODELS**

**G236**

**E236-300**

**G236/2**

**E201**

**E202**

**E541**

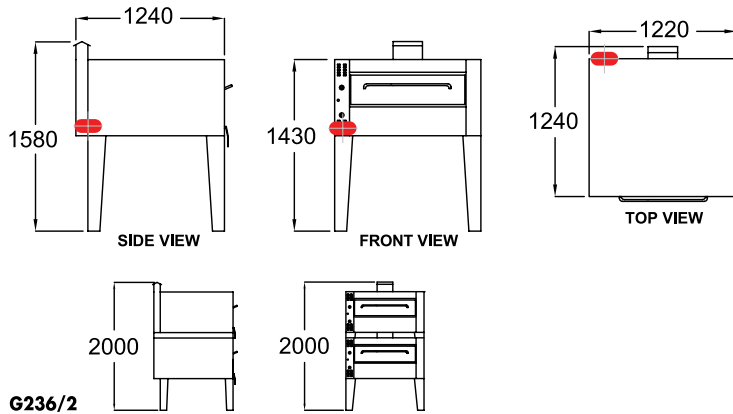
**E542**

**E543**



**E542**

**G236 & G236/2**

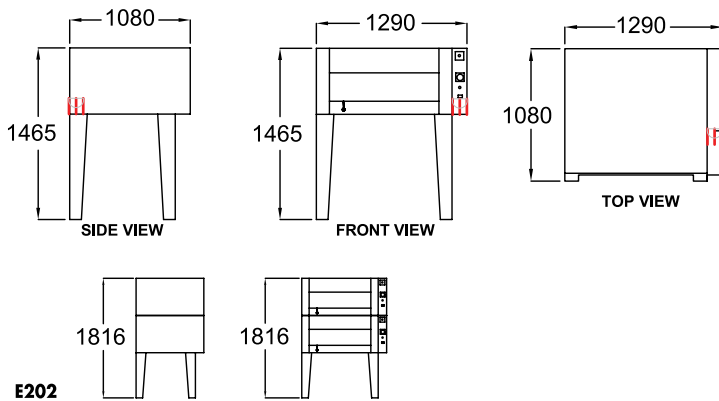


**MODEL: G236 / G236/2 Specifications:**

<b>Dimensions (WxDxH):</b>	1220 x 1240 x (1430 / 2000) mm
<b>Oven Size (WxDxH):</b>	920 x 920 x 210 mm
<b>Weight:</b>	250 / 450 kg
<b>Packed:</b>	2.2 / 3.0 m <sup>3</sup>
<b>Gas Connection:</b>	
<b>Size:</b>	19mm BSP
<b>Rating:</b>	60 Mj per oven
<b>Door Options:</b>	Glass or Stainless Steel door

 GAS INLET 3/4" BSP

**E201 / E202**

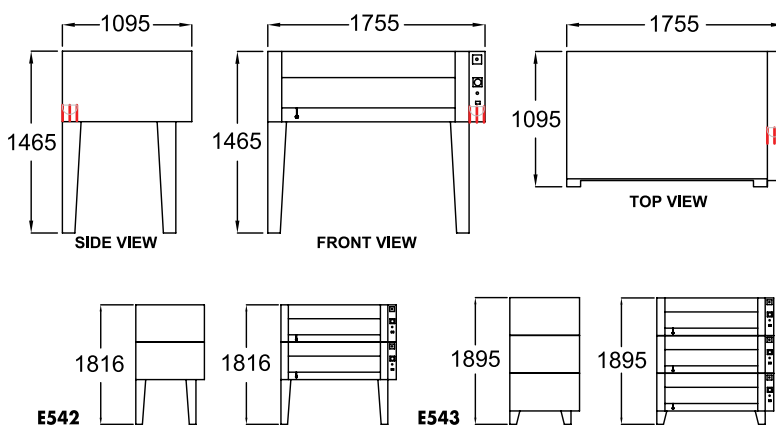


**MODEL: E201 / E202 Specifications:**

<b>Dimensions (WxDxH):</b>	1290 x 1080 x (1465 / 1816) mm
<b>Oven Size (WxDxH):</b>	920 x 900 x 200 mm
<b>Weight:</b>	250 / 455 kg
<b>Packed:</b>	2.0 / 2.5 m <sup>3</sup>
<b>Electric Connection:</b>	
<b>Power:</b>	415V - 3 phase power
<b>Rating:</b>	9.2 kW per oven

 415V, 3 PHASE POWER

**E541 / E542 / E543**



**MODEL: E541 / E542 / E543 Specifications:**

<b>Dimensions (WxDxH):</b>	1755 x 1095 x (1465 / 1816 / 1895) mm
<b>Oven Size (WxDxH):</b>	1375 x 900 x 200 mm
<b>Weight:</b>	370 / 690 / 999 kg
<b>Packed:</b>	2.8 / 3.5 / 3.6 m <sup>3</sup>
<b>Electric Connection:</b>	
<b>Power:</b>	415V - 3 phase power
<b>Rating:</b>	13.9 kW per oven

 415V, 3 PHASE POWER

Goldstein Eswood continually works on improving our products, so dimensions may change without notice. For any construction critical dimensions please check with us.

**GOLDSTEIN ESWOOD**  
211 - 217 Woodpark Rd SMITHFIELD NSW 2164  
T: 1800 013 123 F: 02 96045420  
E: sales@goldsteineswood.com.au

goldsteineswood.com.au



QEC2900 2 NOVEMBER 2008  
Certified System  
Quality  
Head Office  
ISO 9001  
FRAN GLOBAL