



Goldstein
Established 1911 • Proudly Australian Made



SMARTSERVE BANQUET CARTS

- Forced air circulation for uniform temperature.
- All stainless steel interior and exterior for long life and easy cleaning.
- Fully insulated to minimize energy use.
- Flexible operation, for plated or bulk food.
- Up to 120 plate capacity (rated with 270mm plates).
- Fits through standard single door.
- MWC1 & 2 supplied with 7 wire shelves.
- MWC1G & 2G supplied with slides to take 13x2/1 GN or 26x1/1.



MWC-1



MBC120

MODELS

MWC-1

MWC-1G

MWC-2

MWC-2G

MBC-120



serving those who serve the best for

1800 013 123

goldsteineswood.com.au

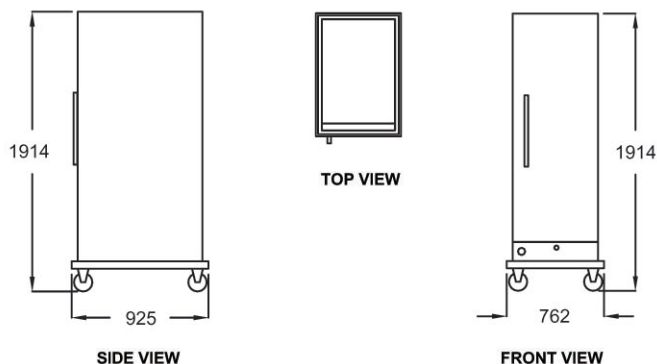


Goldstein
Established 1911 • Proudly Australian Made



SMARTSERVE BANQUET CARTS

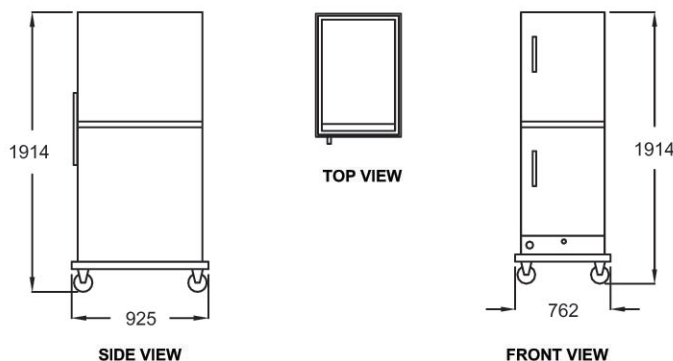
MWC-1 / MWC-1G



MODEL: MWC-1 / MWC-1G Specifications:

Dimensions (WxDxH): 762 x 925 x 1914 mm
Shelf / slide options: 7 wire shelves OR 13 sets of GN slides
Weight: 60 kg
Packed: 1.3 m³
Electric Connection: 240V, 10 amp
Rating: 2.4 kw
Capacity: 26 off 1/1 x 65mm gastronorm

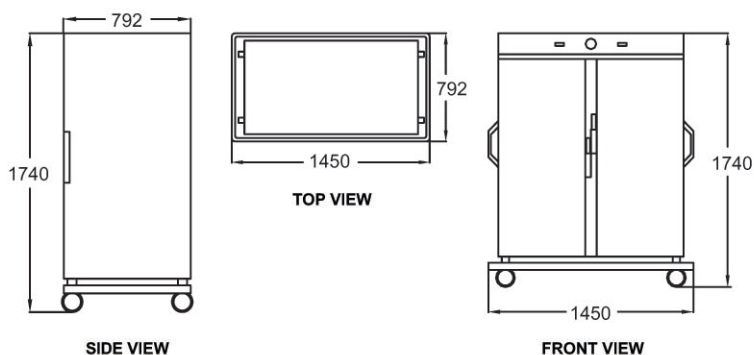
MWC-2 / MWC-2G



MODEL: MWC-2 / MWC-2G Specifications:

Dimensions (WxDxH): 762 x 925 x 1914 mm
Shelf / slide options: 7 wire shelves OR 13 sets of GN slides
Weight: 60 kg
Packed: 1.3 m³
Electric Connection: 240V, 10 amp
Rating: 2.4 kw
Capacity: 26 off 1/1 x 65mm gastronorm

MBC 120



MODEL: MBC 120 Specifications:

Dimensions (WxDxH): 1450 x 792 x 1740 mm
Interior (WxDxH): 1245 x 565 x 1385 mm
Weight: 110 kg
Packed: 2.0 m³
Electric Connection: 240V, 10 amp
Rating: 2.4 kw
Capacity: 120 plates (@ 275mm ϕ)
Shelves: 6

goldsteineswood.com.au

QEC2900 2 NOVEMBER 2008



GOLDSTEIN ESWOOD

Established 1911 • Proudly Australian Made

211-217 Woodpark Rd, Smithfield NSW 2164
 Telephone: 1800 013 123 Facsimile: (02) 9604 5420
 Email: sales@goldsteineswood.com.au

Proudly Distributed By

"Serving those who serve the best for 100 years"