



High Performance Potwashers

MODELS: UT20, UT20H & UT20P

- Chamber opening up to 800mm clear
- Durable stainless steel wash and rinse arms
- Independent wash and rinse systems with high volume pumps for powerful wash action
- Easy to use electro mechanical controls
- Pass-Through model available
- Accepts baking trays and 75 Litre garbage bins
- Accurate digital temperature displays
- 2, 4 & 6 minutes wash cycle times



FEATURES

BENEFITS

EASILY REMOVABLE SPRAY ARMS AND FILTERS	➔	REDUCED CONTAMINATION OF WASH WATER WITH SOIL GIVES LOW DETERGENT CONSUMPTION
ELECTRICAL CONNECTION POINTS FOR DETERGENT AND RINSE AID SYSTEMS	➔	ASSISTS DETERGENT COMPANY TO MAKE CORRECT INSTALLATION OF DETERGENT SYSTEMS
MACHINE STARTS UPON A PUSH OF A BUTTON	➔	FULLY AUTOMATIC FOR EASY OPERATION
RINSE PUMP FITTED AS STANDARD	➔	ENSURES CORRECT SANITISATION WITH CONTROLLED WATER USAGE
ALL STAINLESS STEEL CONSTRUCTION	➔	ENSURES RIGIDITY AND DURABILITY
OPERATION INTERLOCKED TO RINSE TEMPERATURE	➔	MEETS ANZFA SAFE FOOD CODE AND HACCP REQUIREMENTS



“ The **ONLY** HACCP approved Warewashing made in Australia for your protection ”



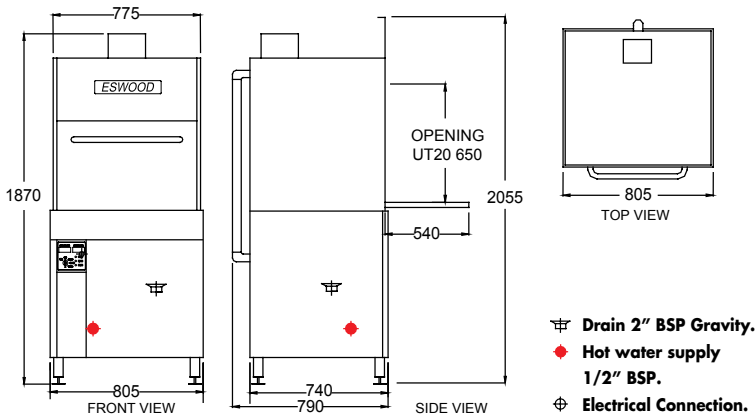
10 YEARS GUARANTEE OF PARTS AVAILABILITY
6 YEARS WARRANTY ON STAINLESS BODY
2 YEARS WARRANTY ON WASH PUMP
1 YEAR WARRANTY ON PARTS & LABOUR



1800 013 123

goldsteineswood.com.au

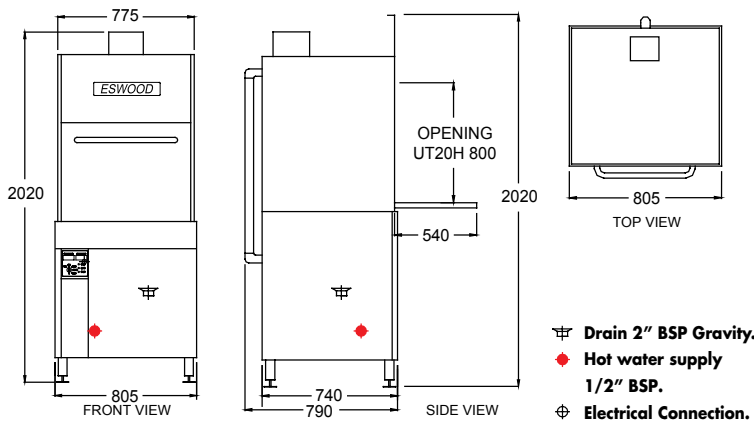
UT20



MODEL: UT20 Specifications:

Dimensions (WxDxH):	805 x 790 x 1870 mm
Height with door open:	2055 mm
Wash chamber (WxDxH):	665 x 630 x 650 mm
Rack Size & Opening (WxDxH):	660 x 610 x 650 mm
Weight:	160 kg
Electric Connection:	3 Phase - 415V + N
Rating:	13.5 kW
Water Supply:	60°C / 2-4 bar (28-56 psi)
Packed:	1.2 m ³
Wash Cycle:	2 mins, 4 mins, 6 mins
Water Consumption:	5L cycle
Tank Capacity:	70L
Rinse Pump:	Fitted

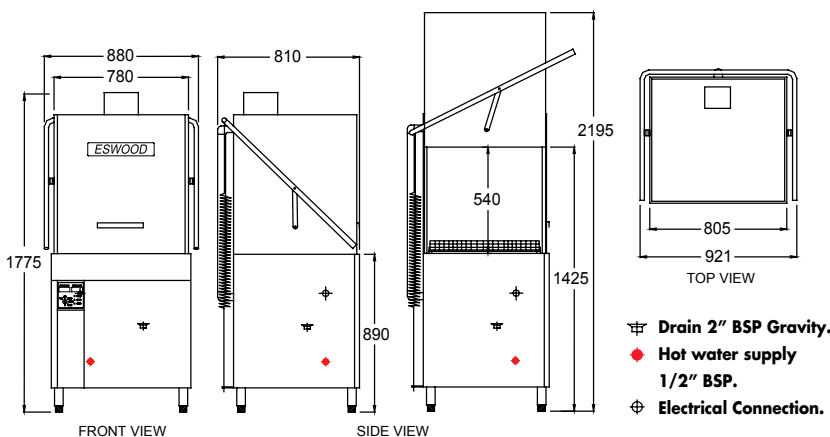
UT20H



MODEL: UT20H Specifications:

Dimensions (WxDxH):	805 x 790 x 2020mm
Height with door open:	2205 mm
Wash chamber (WxDxH):	665 x 630 x 800 mm
Rack Size & Opening (WxDxH):	660 x 610 x 800 mm
Weight:	170 kg
Electric Connection:	3 Phase - 415V + N
Rating:	13.5 kW
Water Supply:	60°C / 2-4 bar (28-56 psi)
Packed:	1.3 m ³
Wash Cycle:	2 mins, 4 mins, 6 mins
Water Consumption:	5L cycle
Tank Capacity:	70L
Rinse Pump:	Fitted

UT20P



MODEL: UT20P Specifications:

Dimensions (WxDxH):	880 x 810 x 1775 mm
Height with door open:	2195 mm
Rack Size & Opening (WxDxH):	660 x 610 x 540 mm
Weight:	160 kg
Electric Connection:	3 Phase - 415V + N
Rating:	13.5 kW
Water Supply:	60°C / 2-4 bar (28-56 psi)
Packed:	1.3 m ³
Wash Cycle:	2 mins, 4 mins, 6 mins
Water Consumption:	5L cycle
Tank Capacity:	70L
Rinse Pump:	Fitted

Goldstein Eswood continually works on improving our products, so dimensions may change without notice. For any construction critical dimensions please check with us.

GOLDSTEIN ESWOOD
 211 - 217 Woodpark Rd SMITHFIELD NSW 2164
 T: 1800 013 123 F: 02 96045420
 E: sales@goldsteineswood.com.au

